

TABLE OF CONTENTS

INTRODUCTION	1
SPECIFICATIONS	1
INSTALLATION	3
Installation Notes	3
Mounting	3
Terminal Strip, Jumper and Adjustment Locations	3
I/O List	3
Power Wiring	4
Pump and Valve Relay Outputs	4
Pump Wiring	4
Valve Wiring	4
Alarm Wiring	5
Switch Inputs	5
TDS/Conductivity Cell Wiring	5
Pressure Sensor Wiring	6
SETPOINTS/FUNCTIONS	
Setpoints	10
Displaying/Modifying Setpoints	10
Write Protect	10
Pressure Setpoints	11
Differential Pressure Setpoints	11
Conductivity Setpoints	12
Flow Setpoints	12
Temperature Setpoints	13
pH/ORP Setpoints	14
Misc Setpoints	15
Functions	17
OPERATION	18
General Operation	18
Display	18
Screens	18
RO Operation	18
Tank Full	19
Tank Full Override	19
Pretreat Lockout	19
Pressure Sensor Warnings/Alarms	19
Low Pressure Switch Alarm	20
High Pressure Switch Alarm	20
TDS/Conductivity Sensor Warnings/Alarms	20
Auto Reset	20
Alarm Silence	20
Auxiliary Pump Control	21
Boost Pump Control	21

OPERATION	
Divert	21
Membrane Flush	22
Flush Mode	23
Flow Metering	24
pH/ORP	25
CALIBRATION	27
Pressure	27
Flow	27
TDS/Conductivity	27
pH	27
ORP	27
TROUBLESHOOTING	28

INTRODUCTION

The R & D Specialties Series 200 controller is a state of the art control system for commercial and industrial reverse osmosis systems. The Series 200 combines features that have not previously been available in one compact unit.

The Series 200 is a microprocessor controlled system that can monitor multiple pressure sensors and/or pressure switches. A feed and permeate TDS/Conductivity monitor/controller with programmable setpoints is an integral part of the Series 200. The Series 200 displays system status and all sensor and switch input status on an easy to read backlit display. User programmable setpoints are provided that allow fast and easy adjustment of system parameters.

Plug-in terminal strips allow easy wiring of all sensors and controls. The Series 200 contains relays for control of an inlet valve, RO pump, flush valve, aux/boost pump, divert valve and an alarm output.

SPECIFICATIONS

POWER:

85 - 265VAC, 50/60 Hz, 25 Watts

ENVIRONMENT:

-22°F (-30°C) to 140°F (60°C)

0-95% RH, noncondensing

ENCLOSURE:

14" X 12" X 8" (305mm X 254mm X 152mm) NEMA 4X

(Larger enclosures are provided when motor controls are incorporated.)

DISPLAY:

4 line X 20 character - backlit

SWITCH INPUTS:

Low feed pressure switch

High pump pressure switch

Tank Full High switch

Tank Full Low switch

Tank low switch

Pretreatment RO lockout switch

SENSOR INPUTS:

C1: Feed TDS/Conductivity - Standard: 0-2500, PPM/uS

Optional ranges: 50, 100, 500, 1000, 5000 or 10000 PPM/uS

C2: Permeate TDS/Conductivity - Standard: 0-250, PPM/uS

Optional ranges: 50, 100, 500, 1000, 2500, 5000 or 10000 PPM/uS

PRESSURE SENSORS:

P1: Inlet pressure sensor

P2: Feed pressure sensor

P3: Pump pressure sensor

P4: Concentrate pressure sensor

P5: Misc pressure sensor

Pressure sensor range determined by sensors used

RELAY OUTPUTS:

Inlet control, 5A SPDT

RO pump control, 5A SPDT

Flush control, 5A SPDT

Aux/Boost pump control, 5A SPDT

Divert control, 5A SPDT

Alarm output, 5A SPDT

Total maximum output for all relays is 20A

Output voltage is voltage supplied to board.

OPTIONAL SENSORS

F1: Permeate flow meter

F2: Concentrate flow meter

F3: Recirculate flow meter

F4: Misc flow meter

Flow sensor range determined by sensors used

pH1: 0-12 pH

pH2: 0-12 pH

ORP: 0-999mV

INSTALLATION

INSTALLATION NOTES

1. High voltage wiring should not be run in the same conduit as sensor and control wiring.
2. The switch inputs are dry contact only. Connecting power to these inputs will damage the controller.
3. The supply voltage to the board is the voltage that is output from the relays.

MOUNTING

Mount the Series 200 in a convenient location on the RO equipment using the four mounting ears provided with the unit or the optional panel mounting bracket.

TERMINAL STRIP, JUMPER AND ADJUSTMENT LOCATIONS

Refer to figure 1 for the location of all terminal strips and connectors. Figure 1 also shows all jumper and adjustment locations. Figure 2 shows a sample wiring diagram.

I/O LIST

The following table is a list of the inputs and outputs on the main board. The list shows the reference name for each input or output, the description and the terminals strip number/ pin connections.

Output	Description	Connection
R1	Inlet Valve	P6, 4-6
R2	RO Pump	P6, 1-3
R3	Flush Valve	P7, 4-6
R4	Aux/Boost Pump	P7, 1-3
R5	Divert Valve	P8, 4-6
R6	Alarm	P8, 1-3
Input	Description	
S1	Lo PSI Switch	P2, 1-2
S2	Hi PSI Switch	P2, 3-4
S3	Tank Full High	P2, 5-6
S4	Tank Full Low	P3, 1-2
S5	Tank Low	P3, 3-4
S6	Pretreat Lockout	P3, 5-6
Conductivity	Description	
C1	Feed	P16
C2	Permeate	P17
Temperature	Description	
T1	Feed Temperature	Part of C1

Pressure	Description	Connection
P1	Inlet	P4, 1-2
P2	Pump Feed	P4, 3-4
P3	Pump Discharge	P4, 5-6
P4	Concentrate	P9, 1-2
P5	Misc	P9, 3-4

POWER WIRING

Refer to figure 1-2 for terminal strip locations and a sample wiring diagram. AC power for the controller can be 85-265VAC, 50/60Hz. AC power for the unit is connected to terminal strip P1. Connect the ground wire of the AC power to the terminal labeled GND. For AC power with a neutral and hot wire, the hot wire connects to L1 and the neutral wire connects to L2. For AC power with 2 hot wires, either wire can connect to L1 and L2.

PUMP AND VALVE RELAY OUTPUTS

The Series 200 supplies relay outputs to control pump and solenoid valves. NOTE: The relays output the same voltage as the AC power supplied to the board. If the solenoids operate on a different voltage, a relay will need to be added to operate the valves. **CAUTION: The pump relay outputs cannot operate motor loads directly.** A contactor must be supplied to operate a pump.

PUMP WIRING

The RO pump contactor connects to NO and L2 of R2, terminals 1-2 of P6. If an auxiliary pump or boost pump is used, the contactor for the aux/boost pump will connect to NO and L2 of R4, terminals 1-2 of P7.

VALVE WIRING

Solenoid valves or motor valves can be operated by the controller. All valves must operate at the same voltage as the controller unless an external control relay is used.

The inlet valve connects to NO and L2 of R1, terminals 4-5 of P6. If a motor valve is used, The common connection is connected to L2, the open connection connects to NO and the close connection connects to NC of R1, terminals 4-6 of P6.

The flush valve connects to NO and L2 of R3, terminals 4-5 of P7. If a motor valve is used, The common connection is connected to L2, the open connection connects to NO and the close connection connects to NC of R3, terminals 4-6 of P7.

The divert valve connects to NO and L2 of R5, terminals 4-5 of P8. If a motor valve is used, The common connection is connected to L2, the open connection connects to NO and the close connection connects to NC, terminals 4-6 of P8.

ALARM WIRING

An alarm output is available at terminals 1-3 of P8. This output supplies the same voltage as is supplied to the board.

SWITCH INPUTS

The connections for the switch inputs are not polarity sensitive and can be connected to either terminal. The switches connect to P2 or P3 as required. Refer to figure 2 for a sample wiring diagram. The switch input can be programmed as either normally open or normally closed in any combination. The switch connected to an input that is configured as normally open must be open for the unit to run. The switch connected to an input that is configured as normally closed must be closed for the unit to run. The Switch Select setpoint(119) allows each input to be configured as normally open or normally closed. The Switch Select Setpoint is defaulted to 0 which programs all inputs as normally open. This means that all switch inputs must be open for the unit to run. The table lists the values used to program the Setpoint to configure the inputs.

SWITCH	N.O.	N.C.	VALUE
S1 Low Pressure	0	1	
S2 High Pressure	0	2	
S3 Tank Full High	0	4	
S4 Tank Full Low	0	8	
S5 Tank Low	0	16	
S6 Pretreat Lockout	0	32	
		TOTAL	

Select the type of switch used for each input and put that number in the value column. Add the values and program the total in the Switch Select Setpoint. For example, if S1 and S3 inputs were normally closed and all others normally open, the value programmed in the Switch Select Setpoint would be 5(1 + 4).

TDS / CONDUCTIVITY CELL WIRING

For accurate TDS / Conductivity readings, the cell should be installed in a tee fitting where a continuous flow of water passes over the cell and no air can be trapped around the cell. Refer to figure 3 for example installation and figure 2 for wiring. The feed cell is connected with 5 wires to terminal strip P16. The permeate cell is connected with 5 wires to terminal strip P17. Connect each colored wire to the terminal labeled with the same color.

PRESSURE SENSOR WIRING

Optional 2-wire 4-20mA pressure sensors can be connected to the controller. Refer to figure 1-2 for terminals strip locations and a sample wiring diagram. The controller supplies 24VDC to operate the sensors.

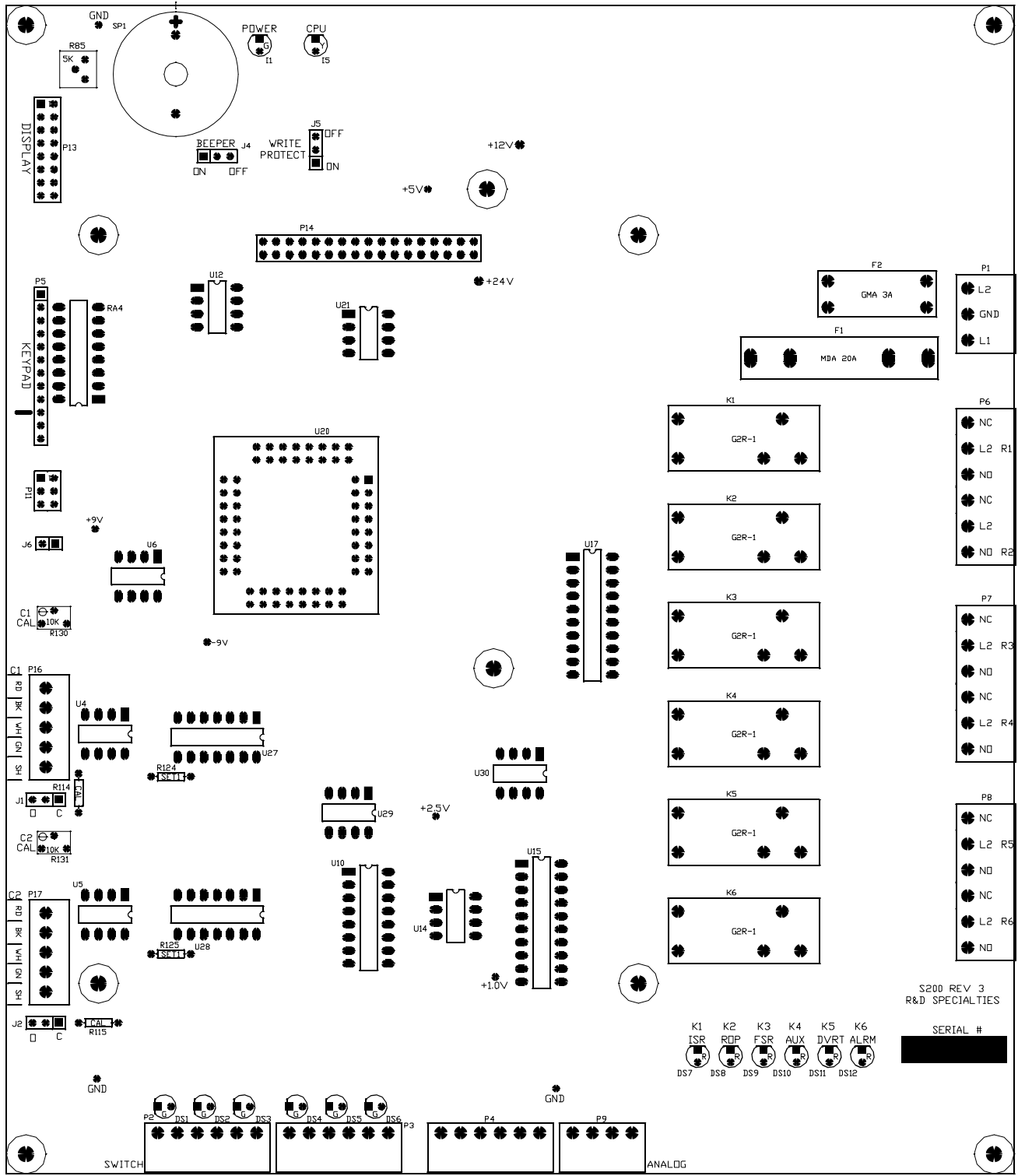


FIGURE 1

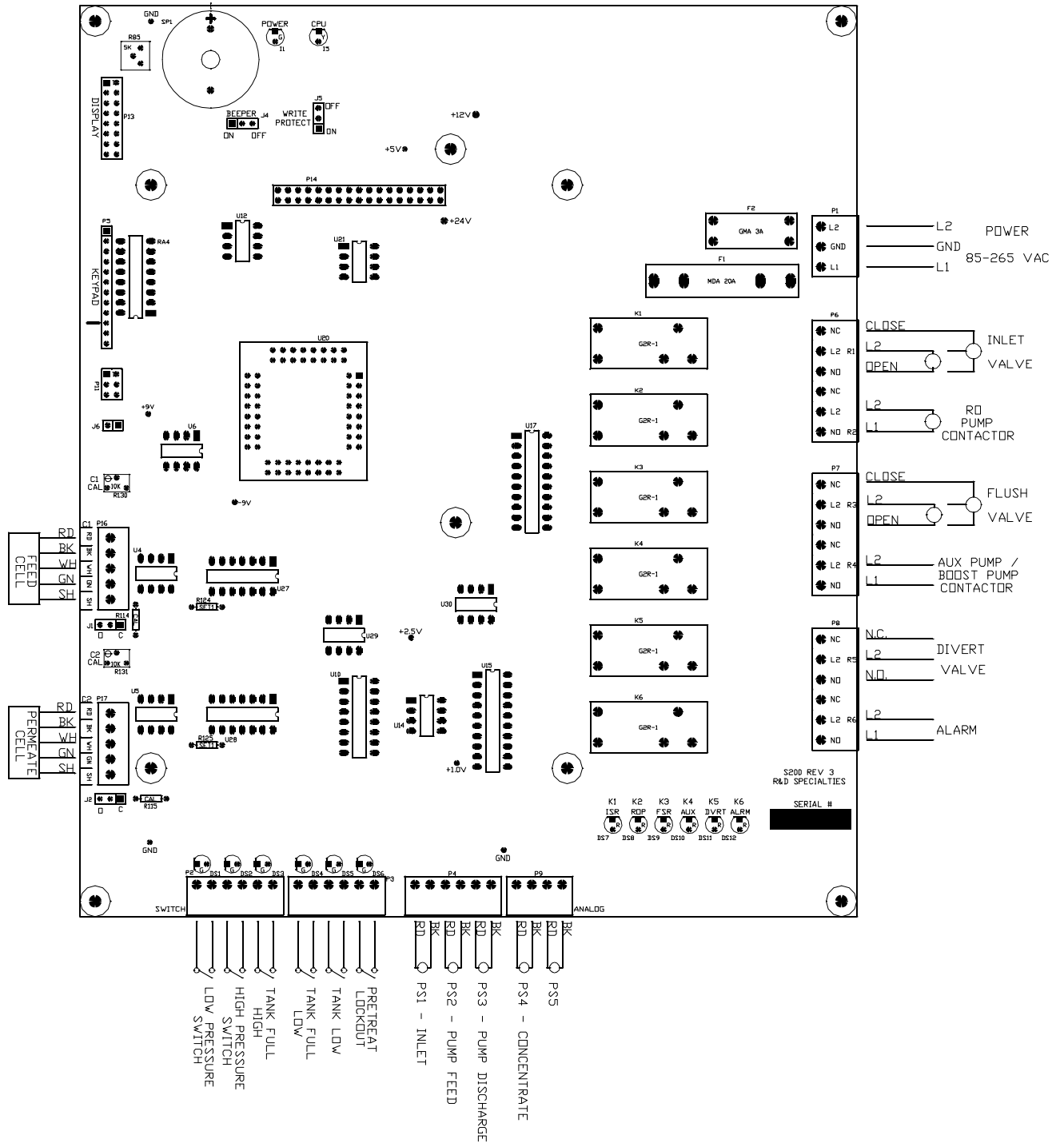
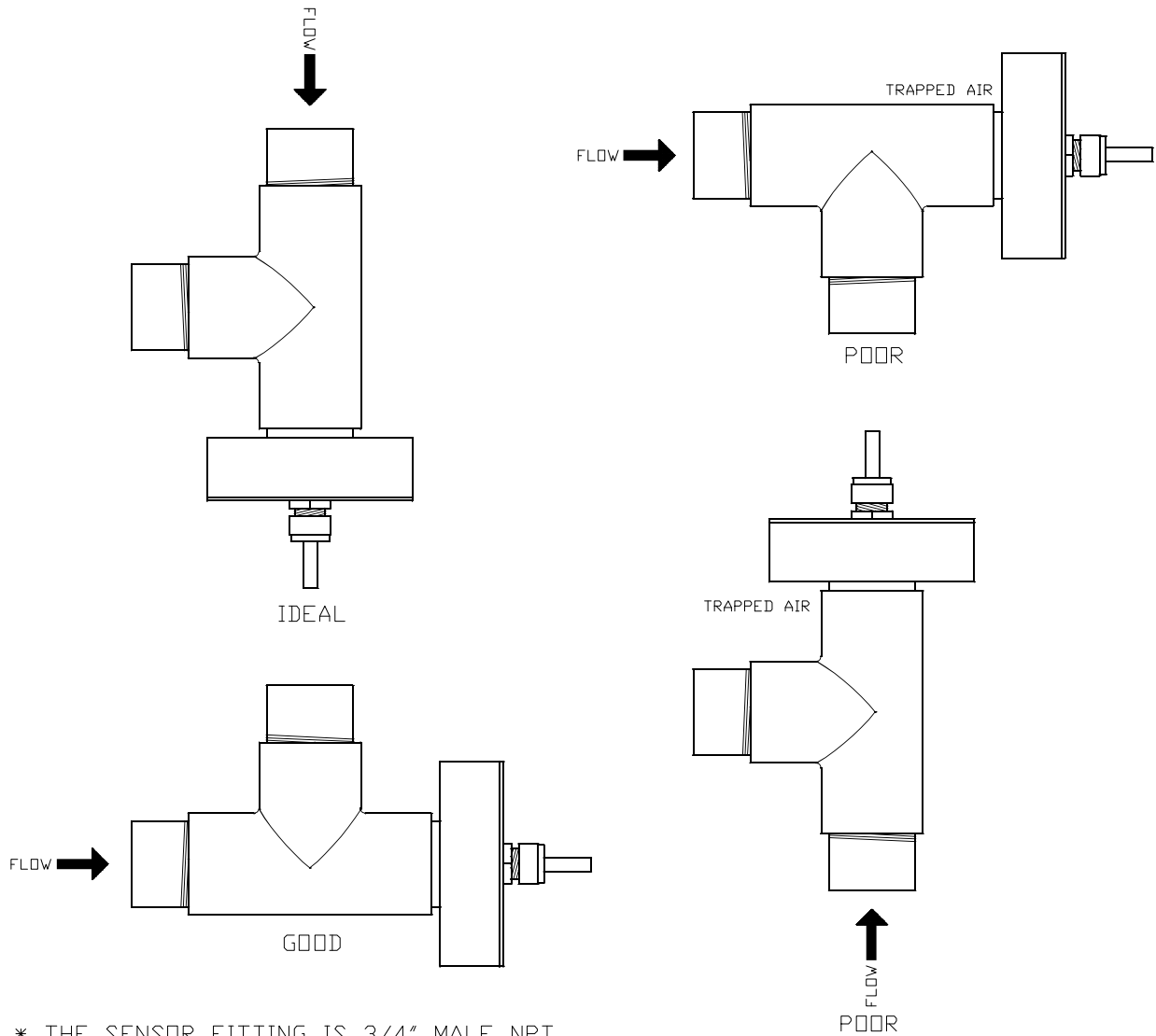


FIGURE 2

TDS/CONDUCTIVITY SENSOR INSTALLATION



- * THE SENSOR FITTING IS 3/4" MALE NPT
- * POSITION THE SENSOR SO AIR WILL NOT BE TRAPPED AROUND SENSOR.

FIGURE 3

SETPOINTS

DISPLAYING/MODIFYING SETPOINTS

The unit has multiple setpoints that control the operation of the controller. Setpoints can be displayed and modified. The procedure for displaying or modifying setpoints is shown below.

NOTE: Not all setpoints are used for every unit.

1. Press the Setpoint key.
2. Enter the 3 digit setpoint number.
3. The setpoint will be displayed. Press the Cancel key to return to the main screen; or,
4. To change the setpoint, enter the new value for the setpoint and then press the Enter key. **NOTE:** The setpoint must have the correct number of digits. Precede your entry by zeros if needed.
5. The unit will beep twice if the change is accepted or one long beep if an error is made.

WRITE PROTECT

The setpoint memory can be write protected from change by placing the write protect jumper J5 in the ON position. The J5 is located in the upper left corner of the main board. Refer to figure 1 for the location of this jumper. With the jumper in the ON position, all setpoints can be displayed, but if a change is made to a setpoint, a long beep will be heard and the display will show WRITE PROTECTED when the Enter key is pressed.

PRESSURE SETPOINTS

There are 6 setpoints for each pressure input. The LO and HI setpoints set the limit for the input. If programmed to 000, the limit is disabled. Once a limit is exceeded, the delay is the time in seconds before a warning or shutdown occurs. The warning/shutdown setpoint determines if exceeding the limit causes a warning or shutdown to occur. Refer to table below for programming.

SETPOINT	0	1	2	3
LO LIMIT	WARNING	SHUTDOWN	WARNING	SHUTDOWN
HI LIMIT	WARNING	WARNING	SHUTDOWN	SHUTDOWN

The offset setpoint allows the 0 level of the input to be adjusted. Setting the offset to 00 or 50 provides no offset to the reading. A setting above 50 adds an offset to the reading and a setting below 50 subtracts an offset from the reading. The exact offset is determined by the span setting. The span setpoint sets the full scale reading of the input. The span is calculated by dividing the full scale range of the sensor by .814 and entering the whole number as the setpoint. For example, a setpoint of 0307 would be entered for a 250PSI sensor ($250/.814=307$).

SP	DESCRIPTION	RANGE	DEFAULT
001	PS1 LO	0000-9999	0000
002	PS1 HI	0000-9999	0000
003	PS1 DELAY	000-999	005
004	PS1 WARNING/SHUTDOWN	0-3	0
005	PS1 OFFSET	00-99	50
006	PS1 SPAN	0000-9999	0307
007	PS2 LO	0000-9999	0000
008	PS2 HI	0000-9999	0000
009	PS2 DELAY	000-999	005
010	PS2 WARNING/SHUTDOWN	0-3	0
011	PS2 OFFSET	00-99	50
012	PS2 SPAN	0000-9999	0307
013	PS3 LO	0000-9999	0000
014	PS3 HI	0000-9999	0000
015	PS3 DELAY	000-999	005
016	PS3 WARNING/SHUTDOWN	0-3	0
017	PS3 OFFSET	00-99	50
018	PS3 SPAN	0000-9999	0615
019	PS4 LO	0000-9999	0000
020	PS4 HI	0000-9999	0000
021	PS4 DELAY	000-999	005
022	PS4 WARNING/SHUTDOWN	0-3	0
023	PS4 OFFSET	00-99	50
024	PS4 SPAN	0000-9999	0615
025	PS5 LO	0000-9999	0000
026	PS5 HI	0000-9999	0000
027	PS5 DELAY	000-999	005
028	PS5 WARNING/SHUTDOWN	0-3	0
029	PS5 OFFSET	00-99	50
030	PS5 SPAN	0000-9999	0615

DIFFERENTIAL PRESSURE SETPOINTS

A differential pressure warning is enabled when the limit is programmed to a value other than 0000. DP1 is P1-P2. DP2 is P3-P4. A warning will be generated when the pressure exceeds the limit for the number of seconds programmed in the delay.

SP	DESCRIPTION	RANGE	DEFAULT
035	DP1 LIMIT	0000-9999	0000
036	DP1 DELAY	0000-9999	0030
037	DP2 LIMIT	0000-9999	0000
038	DP2 DELAY	0000-9999	0030

CONDUCTIVITY SETPOINTS

There are 5 setpoints for each conductivity input. The limit setpoint sets the value of the high conductivity alarm for the input. If set to 0000, the limit is disabled. When the limit is enabled, the delay setpoint is the time in seconds before a warning is generated. The shutdown limit is the delay in seconds before a conductivity shutdown occurs. If set to 000, the conductivity shutdown is disabled. The offset setpoint allows the 0 level of the input to be adjusted. Setting the offset to 00 or 50 provides no offset to the reading. A setting above 50 adds an offset to the reading and a setting below 50 subtracts an offset from the reading. The exact offset is determined by the span setting. The span setpoint sets the full scale reading of the input. The span is calculated by dividing the full scale range of the sensor by 1.024 and entering the whole number as the setpoint. For example, a setpoint of 2441 would be entered for a 2500uS range ($2500/1.024=2441$).

SP	DESCRIPTION	RANGE	DEFAULT
041	CS1 LIMIT	0000-9999	0000
042	CS1 DELAY	000-999	030
043	CS1 SHUTDOWN	000-999	000
044	CS1 OFFSET	00-99	50
045	CS1 SPAN	0000-9999	2441
046	CS2 LIMIT	0000-9999	0000
047	CS2 DELAY	000-999	030
048	CS2 SHUTDOWN	000-999	000
049	CS2 OFFSET	00-99	50
050	CS2 SPAN	0000-9999	0244

FLOW SETPOINTS

There are 4 setpoints for each flow input. The LO and HI limit setpoints set the value of the flow alarms for the input. The limits are 4 digits with the fourth digit being tenths. If 1234 is entered as the setpoint, the limit is set to 123.4. If set to 0000, the limit is disabled. When a limit is enabled, the delay setpoint is the time in seconds before a warning is generated. The span setpoint is a 6 digit number that sets the full scale reading of the input. The 5th and 6th digits of the span are tenths and hundredths. The span is the K-factor as supplied from the flow sensor manufacturer.

SP	DESCRIPTION	RANGE	DEFAULT
056	FS1 LO LIMIT	0000-9999	0000
057	FS1 HI LIMIT	0000-9999	0000
058	FS1 DELAY	000-999	030
059	FS1 SPAN	000000-999999	100000
060	FS2 LO LIMIT	0000-9999	0000
061	FS2 HI LIMIT	0000-9999	0000
062	FS2 DELAY	000-999	030

SP	DESCRIPTION	RANGE	DEFAULT
063	FS2 SPAN	000000-999999	100000
064	FS3 LO LIMIT	0000-9999	0000
065	FS3 HI LIMIT	0000-9999	0000
066	FS3 DELAY	000-999	030
067	FS3 SPAN	000000-999999	100000
068	FS4 LO LIMIT	0000-9999	0000
069	FS4 HI LIMIT	0000-9999	0000
070	FS4 DELAY	000-999	030
071	FS4 SPAN	000000-999999	100000
072	TOTALIZER 1	00000000-99999999	00000000
073	TOTALIZER 2	00000000-99999999	00000000

TEMPERATURE SETPOINTS

A temperature alarm is enabled when the limit is programmed to a value other than 000. An alarm will be generated when the temperature exceeds the limit for the number of seconds programmed in the delay. The temperature offset setpoint allows the temperature reading to be adjusted a few degrees up or down. Programming the setpoint to 5 gives no adjustment. Lowering the offset decreases the temperature reading. Increasing the offset increases the temperature reading.

081	TEMP LIMIT	000-999	000
082	TEMP DELAY	00-99	010
083	TEMP OFFSET	0-9	5

pH/ORP SETPOINTS

SP	DESCRIPTION	RANGE	DEFAULT
086	pH/ORP SELECT - Enables display of the installed pH/ORP sensors. If set to 0, all displays are disabled.	0-4	0
087	pH1 LO WARNING - Sets limit for pH1 low warning. If set to 0, warning is disabled.	00.00-14.00	0000
088	pH1 HI WARNING - Sets limit for pH1 high warning. If set to 0, warning is disabled.	00.00-14.00	0000
089	pH1 LO SHUTDOWN - Sets limit for pH1 low alarm. If set to 0, alarm is disabled.	00.00-14.00	0000
090	pH1 HI SHUTDOWN - Sets limit for pH1 high alarm. If set to 0, alarm is disabled.	00.00-14.00	0000
091	pH1 DELAY - pH must exceed limit for this delay before alarm is activated.	00-99 SEC	10
094	pH2 LO WARNING - Sets limit for pH2 low warning. If set to 0, warning is disabled.	00.00-14.00	0000
095	pH2 HI WARNING - Sets limit for pH2 high warning. If set to 0, warning is disabled.	00.00-14.00	0000
096	pH2 LO SHUTDOWN - Sets limit for pH2 low alarm. If set to 0, alarm is disabled.	00.00-14.00	0000
097	pH2 HI SHUTDOWN - Sets limit for pH2 high alarm. If set to 0, alarm is disabled.	00.00-14.00	0000
098	pH2 DELAY - pH must exceed limit for this delay before alarm is activated.	00-99 SEC	10
101	ORP HI WARNING - Sets limit for ORP high warning. If set to 0, warning is disabled.	000-999 mV	000
102	ORP HI SHUTDOWN - Sets limit for ORP high alarm. If set to 0, alarm is disabled	000-999 mV	000
103	ORP DELAY - ORP must exceed limit for this delay before alarm is activated.	00-99 SEC	10

MISC SETPOINTS

SP	DESCRIPTION	RANGE	DEFAULT
106	RO DELAY – When start signal is received, delay before RO pump starts.	0000-9999 SEC	0005
107	TANK FULL DELAY – Delay before the RO shuts down due to a tank full condition.	00-99 SEC	05
108	TANK FULL RESTART – Delay before RO starts after a tank full condition clears.	0000-9999 SEC	0005
109	TANK FULL OVERRIDE - Time system will run when tank full override is initiated.	0-9 MIN	5
110	TANK LOW DELAY - Delay before a tank low signal is valid.	00-99 SEC	05
111	TANK LOW RESTART - Delay before system restarts after a tank low condition clears.	00-99 MIN	15
112	PRETREAT LOCKOUT DELAY - When the pretreat input is active, the delay before the RO shuts down.	00-99 SEC	05
113	DIVERT DELAY - Sets time divert will remain active after a high conductivity condition has cleared.	00-99 SEC	05
114	AUTO RESET – When a shutdown condition occurs, delay before system automatically resets. When set to 00, Auto Reset is disabled.	00-99 MIN	30
115	ALARM SILENCE – When the Alarm Silence button is pressed, the alarm will resound after this delay. If set to 000, the alarm will remain silenced.	000-999 SEC	300
116	MAX HOURS – If the current hours exceed this value, an Op Hours Exceeded warning is generated. If set to 00000, this warning is disabled.	00000-99999	00000
117	CURRENT HOURS – The current operating hours.	00000-99999	00000

SP	DESCRIPTION	RANGE	DEFAULT
118	LOG INTERVAL - Selects data logging interval. If set to 0, logging is disabled.	00-99 HRS	00
119	SWITCH SELECT 1 - Programs switch inputs on main board as N.O. or N.C. Default is all normally open.	000-255	000
120	UNIT NUMBER - Sets unit number to identify unit logging data.	00-99	01
121	FLUSH TYPE - Selects the type of flush for the RO unit. If set to 0, flush is disabled.	0-8	0
122	FLUSH MODE - Determines the operation of the inlet valve and RO pump during flush.	0-4	0
123	FLUSH TIME - Length of flush cycle	00-99 MIN	05
124	FLUSH INTERVAL - Selects the interval between flushes when an interval type of flush is selected.	00-99 HRS	24
125	LO PSI SW DELAY - Delay before an active low pressure switch will cause a shutdown.	00-99 SEC	05
126	HI PSI SW DELAY - Delay before an active high pressure switch will cause a shutdown.	00-99 SEC	05
127	AUX MODE - If set to 0, relay 4 operates as auxiliary pump control. If set to 1, relay 4 operates as a boost pump control.	0-1	0
128	SA1 - Selects active sensors for data logging.	000-255	000
129	SA2 - Selects active sensors for data logging.	000-255	000
130	SA3 - Selects active sensors for data logging.	000-255	000
131	SA4 - Selects active sensors for data logging.	000-255	000
132	UOM - Selects unit of measure for data logging.	000-255	000

FUNCTIONS

FUNCTION 1 - TANK FULL OVERRIDE

Allows the RO unit to run for a timed period during a tank full condition by pressing the Function key, 1 and the Enter key.

FUNCTION 2 - MANUAL FLUSH

If flush is enabled, allows a flush cycle to be manually initiated by pressing the Function key, 2 and the Enter key. If flush is already active, pressing the Function key, 2 and the Enter key will end the flush.

FUNCTION 4 - CLOCK PROGRAMMING

The clock time is programmed by pressing the Function key, 4 and then entering the current time, date and then pressing the Enter key. The time is entered in military format HHMM and the date is entered as MMDDYY.

FUNCTION 5 - pH1 4 BUFFER

If pH1 is enabled, Function 5 is used to calibrate the pH sensor to a pH 4 buffer. For further details, refer to the pH section of the manual.

FUNCTION 6 - pH1 7 BUFFER

If pH 1 is enabled, Function 6 is used to calibrate the pH sensor to a pH 7 buffer. For further details, refer to the pH section of the manual.

FUNCTION 7 - pH2 4 BUFFER / ORP CALIBRATE

If pH2 is enabled, Function 7 is used to calibrate the pH sensor to a pH 4 buffer. For further details, refer to the pH section of the manual. If ORP is enabled, Function 7 is used to calibrate the ORP sensor. For further details, refer to the ORP section of the manual.

FUNCTION 8 - pH2 7 BUFFER

If pH 2 is enabled, Function 8 is used to calibrate the pH sensor to a pH 7 buffer. For further details, refer to the pH section of the manual.

OPERATION

GENERAL OPERATION

The unit has 2 modes of operation, a standby mode and an operating mode. In the standby mode, the unit is effectively off. All output relays are turned off and the display shows STANDBY. In the operating mode, the unit operates automatically. All inputs are monitored and the outputs are controlled accordingly. Pressing the Power key will toggle the unit from standby to operate or from operate to standby. If power is removed from the unit, when power is reapplied, the unit will restart in the mode it was in when power was removed. NOTE: If the Aux Mode setpoint is set to 0, the Auxiliary pump relay will not be affected by the Power switch. **CAUTION:** When the controller is in the standby mode, power is still applied to the unit and the relay outputs may still have voltage on them. To service the unit, power should be removed from the controller.

DISPLAY

The display is a 4 line x 20 character backlit liquid crystal display. System operating status, warnings and sensor readings are shown on the display Setpoint information is also shown on the display when the setpoint mode is active.

SCREENS

System status, warnings and sensor readings are displayed by selecting from 3 different screens. Toggle through the screens by pressing the Display key.

Screen 1 shows the operating status on the top line. All shutdown alarms will show on this line in addition to operation status messages. This screen also displays the following sensor readings: C1(feed), C2(permeate), % rejection, P2(pump inlet), P3(pump discharge) and T1(feed temperature).

The top line of screen 2 will display multiple items. If no warnings are active, the top line will cycle through the current date/time, operating hours, pH1, pH2, ORP and P5. If any warnings are active, they will be included in the cycling of the display. This screen also displays the following sensor readings: P1(inlet), P2(pump feed), P1-P2 differential pressure, P3(pump discharge), P4(concentrate) and P3-P4 differential pressure.

Screen 3 displays the following flow sensor data: F1(permeate), F1 total, F2(concentrate), F2 total, F3, F4 and % recovery.

RO OPERATION

On startup of the RO unit, the inlet relay will operate and after the RO Delay(106), the RO pump relay will operate. The RO unit will continue to operate until a condition occurs that causes a shutdown. This can be a normal operating condition or an alarm condition. For either condition, the top line of screen 1 will display the reason for the shutdown. If the condition is due to an alarm, the alarm lamp will flash and the audible alarm will sound.

TANK FULL

The unit can be operated with 1 or 2 level switches. With 1 level switch, the switch is connected to the tank full high input. When this switch has been active for the Tank Full Delay(107), the unit will shut down on tank full. TANK FULL will show on the display. When the tank full condition clears, the display will show TANK FULL 99. The number is the Tank Full Restart(108) time and the unit will restart when this delay times out.

For 2 level switch operation, the upper switch is connected to the tank full high input and the lower switch is connected to the tank full low input. When both switches are clear, the RO unit will run. The RO unit will continue to run when the water level rises and the lower switch becomes active. When the upper switch becomes active, after the Tank Full Delay(107), the RO unit will shut down. TANK FULL will show on the display. When the tank level drops and the upper level switch clears, the display will show TANK FULL 99 and the RO unit will remain off. The number is the Tank Full Restart(108) time and the number will blink until the lower level switch clears. When the lower level switch clears, the number will remain steady and will begin to count down and the RO will restart when the delay times out.

TANK FULL OVERRIDE

A timed Tank Full Override(109) can be initiated when the RO unit is shut down due to a tank full condition. Pressing Function, 1 and the Enter key during a tank full condition will enable the tank full override. The RO will start and TF OVERRIDE 9 will show on the display. The number is the minutes remaining in the override timer. When the override times out, the unit will return to the tank full shut down condition.

PRETREAT LOCKOUT

When the pretreat lockout input becomes active for the time programmed in the Pretreat Delay(112) setpoint, the unit will shutdown and PRETREAT LOCKOUT will show on the display. When the pretreat lockout input clears, the unit will restart.

PRESSURE SENSOR WARNINGS/ALARMS

A low/high pressure limit is enabled by programming the limit to a value other than 0. Whether the limits generates a warning or an alarm is determined by the setting of the warning/shutdown setpoint for each sensor. Refer to the pressure sensor setpoints section of the manual for further information.

If a low or high pressure warning limit is exceeded, the alarm lamp will light steady and the warning will be shown on screen 2. The RO unit will continue to operate.

If a low or high pressure shutdown is enabled for any pressure sensor and the limit is exceeded for the sensor for the delay programmed for the sensor, the unit will shutdown for a pressure alarm condition. The sensor causing the alarm will be shown on screen 1, the alarm lamp will flash and the audible alarm will sound. Pressing the Alarm Silence/Reset key twice will reset the alarm.

LOW PRESSURE SWITCH ALARM

If the low pressure switch input becomes active for the the delay programmed in the Lo PSI Sw Delay(125), the unit will shutdown for a low pressure switch alarm. LO PRESSURE will show on the display, the alarm lamp will flash and the audible alarm will sound. The alarm can be reset by pressing the Alarm Silence/Reset key twice.

HIGH PRESSURE SWITCH ALARM

If the high pressure switch input becomes active for the the delay programmed in the Hi PSI Sw Delay(126), the unit will shutdown for a high pressure switch alarm. HI PRESSURE will show on the display, the alarm lamp will flash and the audible alarm will sound. The alarm can be reset by pressing the Alarm Silence/Reset key twice.

CONDUCTIVITY SENSOR WARNING/ALARM

A high conductivity warning can be enabled by programming the conductivity limit setpoint to a value other than 0. If the warning is enabled and the conductivity is above the limit for the time programmed in the delay setpoint, the alarm lamp will light steady and the warning will be shown on screen 2.

A high conductivity shutdown is enabled for a conductivity sensor when the shutdown delay is programmed to a delay greater than 0. When the limit is exceeded for the sensor for the shutdown delay, the unit will shutdown for a conductivity alarm condition. The sensor causing the alarm will be shown on screen 1, the alarm lamp will flash and the audible alarm will sound. Pressing the Alarm Silence/Reset key twice will reset the alarm.

AUTO RESET

When a shutdown occurs due to any enabled high or low pressure condition, high or low pressure switch or a high conductivity condition on the RO unit, the unit will attempt to restart after the delay programmed in the Auto Reset(114) setpoint. This delay is in minutes. When this delay times out, the unit is reset just as if the Alarm Silence /Reset key was pressed twice. If the Auto Reset delay is set to 0, the alarm must be manually reset.

ALARM SILENCE

When an alarm condition occurs, the audible alarm can be silenced by pressing the Alarm Silence/Reset key once. The condition is not cleared unless the key is pressed a second time. If the Alarm Silence(115) setpoint is programmed to 0, the alarm will remain silenced. Otherwise, the alarm will resound after this delay times out

AUXILIARY.PUMP CONTROL

If the Aux Mode(127) setpoint is programmed to 0, relay 4 is programmed to operate as a auxiliary(repressurization) pump control. The relay will normally be on at all times. If the tank low input becomes active for the time programmed in the Tank Low Delay(110) setpoint, the relay will turn off. The alarm lamp will light steady and TANK LOW will show on screen 2. Once the tank low input clears, the relay will remain off for the number of minutes programmed in the Tank Low Restart(111) delay setpoint. The relay will then turn on, the alarm lamp will turn off and the warning will be removed from screen 2.

BOOST PUMP CONTROL

If the Aux Mode(127) setpoint is programmed to 1, relay 4 is programmed to operate as a boost pump control. The relay will turn on when the RO starts and will turn off when the RO stops. If the tank low input becomes active for the time programmed in the Tank Low Delay(110) setpoint, the RO unit will shutdown. TANK LOW will show on screen 1, the alarm lamp will flash and the audible alarm will sound. Pressing the Alarm Silence/Reset key will reset the alarm.

DIVERT

When the C2 limit is enabled and the C2 reading is above the limit, the divert relay will be activated. This will occur immediately with no delay. When the C2 reading drops below the limit, the divert relay will remain active for the time programmed in the Divert Delay(113) setpoint. After the delay times out, the divert relay will turn off.

MEMBRANE FLUSH

If the Flush Type(121) setpoint is programmed to 0, flush is disabled. If membrane flush is desired, several types of flush are available. When the unit enters a flush cycle, the flush relay will activate. The flush cycle will last for the time programmed in the Flush Time(123) setpoint. The table below shows the value that must be programmed in the Flush Type setpoint for each type of flush.

FLUSH TYPE	DESCRIPTION
0	NO FLUSH
1	TANK FULL
2	OPERATING HOURS
3	OPERATING HOURS AND TANK FULL
4	ELAPSED TIME
5	ELAPSED TIME AND TANK FULL
6	OFF HOURS
7	OFF HOURS AND TANK FULL
8	RO START/STOP

TANK FULL - The RO unit will flush each time a tank full condition occurs.

OPERATING HOURS - A flush will occur when the RO pump has operated for the number of hours programmed in the Flush Interval Setpoint.

ELAPSED TIME - A flush will occur after the number of hours programmed in the Flush Interval Setpoint has passed.

OFF HOURS - A flush will occur when the RO has been shut down due to a tank full condition for the number of hours programmed in the Flush Interval Setpoint.

RO START/STOP - A flush will occur each time the RO starts or stops.

The tank full flush can be combined with any of the 3 interval flush types. A manual flush can be initiated using Function 2

FLUSH MODE

The Flush Mode Setpoint can be used to control the operation of the inlet valve and RO pump during flush. Each can be independently programmed to operate during flush. Table 4 shows the values to program into the Flush Mode Setpoint to control the operation of the inlet and RO outputs during flush.

FLUSH MODE	RO PUMP	INLET VALVE
0	OFF	CLOSED
1	OFF	OPEN
2	ON	CLOSED
3	ON	OPEN

FLOW METERING

If the optional flow metering board is installed, up to 4 flow sensors can be monitored by the controller. The flow board is mounted on the main board. Refer to Figure 4 for the location of the terminals strips for connecting the flow meters. Each flow meter requires 3 connections: Power(+), signal(SIG) and ground(GND). For magnetic pickup sensors such as a Signet 515, the jumper for the meter should be in the B position. For sensors that require power, the jumper for the sensor should be moved to the A position. The K-Factor as supplied from the sensor manufacturer should be entered in the Span setpoint for each installed meter.

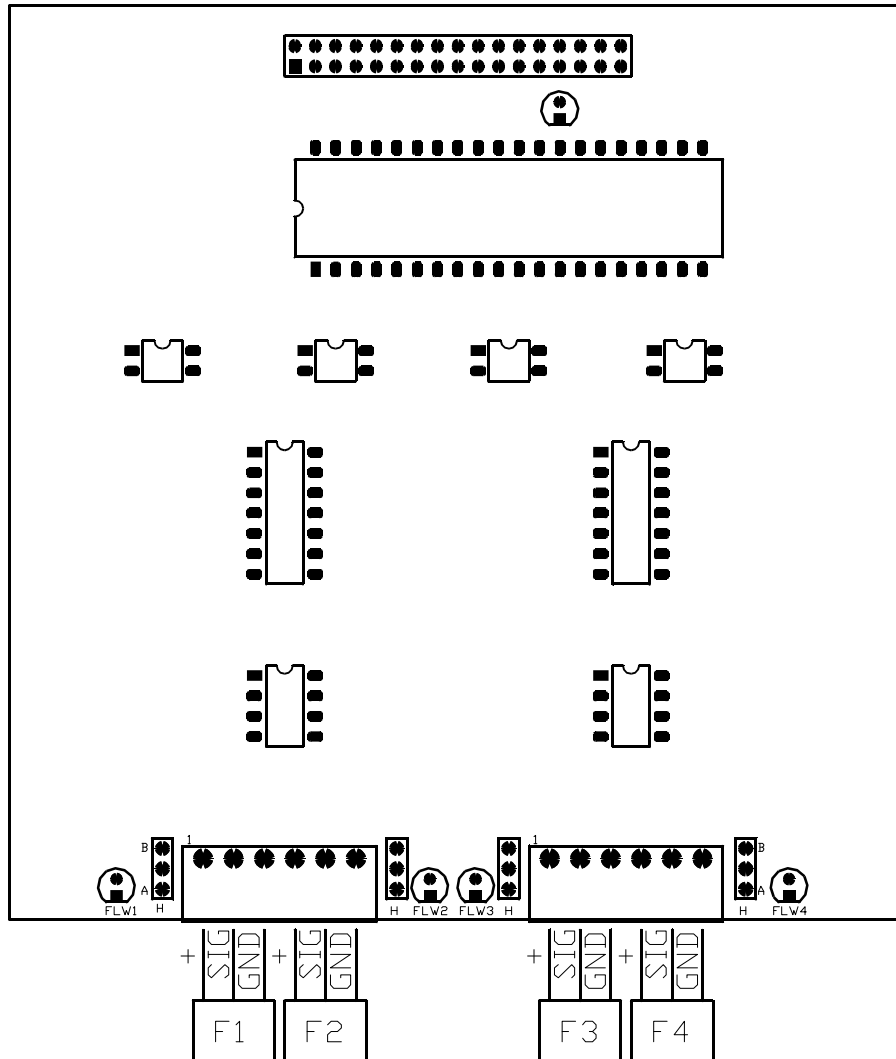


FIGURE 4

pH/ORP

If the optional pH/ORP board is installed, pH and/or ORP sensors can be monitored. The pH/ORP board is mounted to the main board. The controller can monitor pH and ORP sensors as determined by the setting of the pH/ORP Select(086) setpoint. Refer to the table for the sensor configuration. If a sensor is not selected, the reading for the sensor will show dashes.

pH/ORP SELECT	pH1	pH2	ORP
0	NO	NO	NO
1	YES	NO	NO
2	NO	NO	YES
3	YES	NO	YES
4	YES	YES	NO

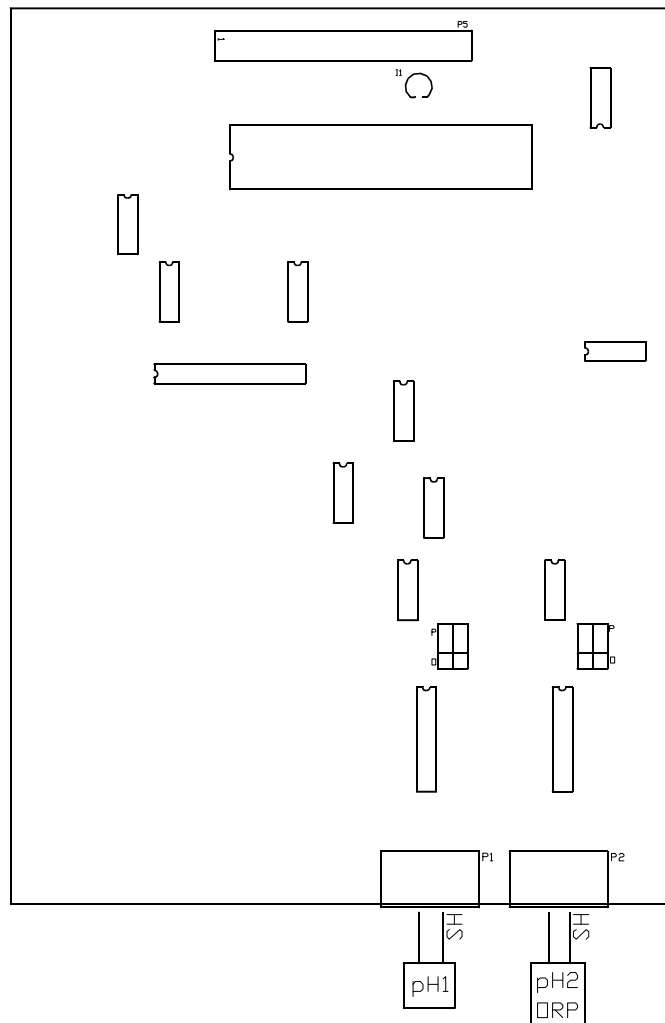


FIGURE 5

Refer to Figure 5 for the location of the terminal strips for connecting the sensors. The Terminal strips are 4 pin connections. The sensors connect to pins 2 and 3. The shield wire of the sensor connects to pin 3 and the signal wire connect to pin 2. To calibrate the sensors, refer to the calibration section of the manual.

CALIBRATION

PRESSURE CALIBRATION

The pressure sensors have no calibration adjustments. Minor adjustments to zero and span can be made using the offset and span setpoints.

FLOW CALIBRATION

The flow sensors have no calibration adjustments. Adjustments to the span can be made using the span setpoint.

CONDUCTIVITY CALIBRATION

Each conductivity channel has an onboard span adjustment. The span adjustment is located adjacent to the connector for the cell for each channel. The C1 adjustment is R130 and the C2 adjustment is R131. Refer to Figure 1 for the location of the adjustments for each sensor.

The conductivity can be calibrated by measuring the conductivity with a known good meter and adjusting the span adjustment for the channel to display the same reading.

pH CALIBRATION

To calibrate pH1:

Place the pH cell in a pH 4 buffer and allow the cell to stabilize for several minutes. Press Function, 5 and Enter to calibrate the system to the pH 4 buffer. Remove the pH cell and rinse in distilled water and place in a pH 7 buffer and allow to stabilize for several minutes. Press Function, 6 and Enter to calibrate the system to the pH 7 buffer and complete the calibration procedure.

To calibrate pH2:

Place the pH cell in a pH 4 buffer and allow the cell to stabilize for several minutes. Press Function, 7 and Enter to calibrate the system to the pH 4 buffer. Remove the pH cell and rinse in distilled water and place in a pH 7 buffer and allow to stabilize for several minutes. Press Function, 8 and Enter to calibrate the system to the pH 7 buffer and complete the calibration procedure.

ORP CALIBRATION

To calibrate the ORP sensor, connect a voltage source supplying 750mV to the ORP input terminals. Press Function, 7 and Enter to calibrate. Disconnect the voltage reference and connect the ORP cell.

TROUBLESHOOTING

CAUTION: Placing the controller into Standby **DOES NOT** remove power from the controller. Hazardous voltages are present when power is applied to the unit. Care should be taken when troubleshooting any of the input power or output circuits. When disconnecting or connecting any board or accessory, be sure power is turned off at the disconnect.

Before contacting R & D Specialties for technical help, verify the programming of all Setpoints, check the display and check the status of all lights and indicators. The more information available when you contact us, the easier it will be to determine the source of the problem. NOTE: Phone support is only available from 8AM to 5PM Central Standard Time Monday through Thursday and 8AM to 12PM Friday, -6 GMT.

System Inoperative

Is the yellow CPU active LED blinking? If no, is the green power LED on? If no, is the fuse F2 OK? If no, replace the fuse. If yes, with a voltmeter, verify power is applied to the power terminals L1 and L2. If power is applied to the power terminals and the above checks are OK, the board is probably defective and should be replaced. If no power is applied to the board, check the power wiring to the system.

Display Blank

Is the green power LED on? If no, refer to the system inoperative section. If yes, is the CPU active LED blinking? If no, replace the board. If yes, adjust the display contrast adjustment, R85 located in the upper left corner of the main board. Is the display still blank? If yes, replace the board.

All Outputs Not Functioning

Is the system in standby? If no, are any shutdown conditions active? If no, are any of the red LED relay indicator lights located in the bottom right corner of the board on? If yes, is fuse F1 OK? If no, replace fuse. If yes, replace board.

Inlet Valve Will Not Operate

Is the system in standby? If no, are any shut down conditions active? If no, is the inlet LED, DS7 lit? If no, replace the board. If yes, with a voltmeter, verify if there is power on the inlet terminals. Is there power? If no, replace the board. If yes, check the valve and wiring.

RO Pump Will Not Operate

Is the system in standby? If no, are any shut down conditions active? If no, is the RO LED, DS8 lit? If no, replace the board. If yes, with a voltmeter, verify if there is power on the RO pump terminals. Is there power? If no, replace the board. If yes, check the pump and wiring.

Unit Not Flushing or Not Flushing Correctly

Verify that flush is enabled and what type of flush is selected. Is flush enabled? If no, enable flush. If yes, use Function 2 to enable a manual flush. Does the unit show flush on the display? If no, replace the board. If yes, is the flush LED, DS9 lit. If no, replace the board. If yes, with a voltmeter, verify if there is power on the flush terminals. Is there power? If no, replace the board. If yes, check the valve and wiring.

No or Incorrect TDS / Conductivity Reading

Is sensor wired correctly? If no, correct wiring. If yes, is sensor installed as described in the installation section? If no, install correctly. If yes, verify correct TDS / Conductivity range. Range correct? If no, correct range. If yes, calibrate unit. Does unit calibrate OK? If no, disconnect green and white wires of sensor. Does reading show 0? If no, replace board. If yes, reconnect wires and remove sensor from piping and dry. Does reading show 0? If no, replace cell. If yes, short pins of cell together. Does reading show maximum? If no, replace board.

No or Incorrect Pressure Reading

Is sensor wired correctly? If no, correct wiring. If yes, is sensor installed as described in the installation section? If no, install correctly. If yes, verify correct span setting. Span correct? If no, correct span. Disconnect sensor, does reading show 0? If no, replace board. If yes, replace sensor with a 1500 ohm, 1/4 watt resistor. Is reading ~60% of full scale? If yes, replace sensor. If no, replace board.