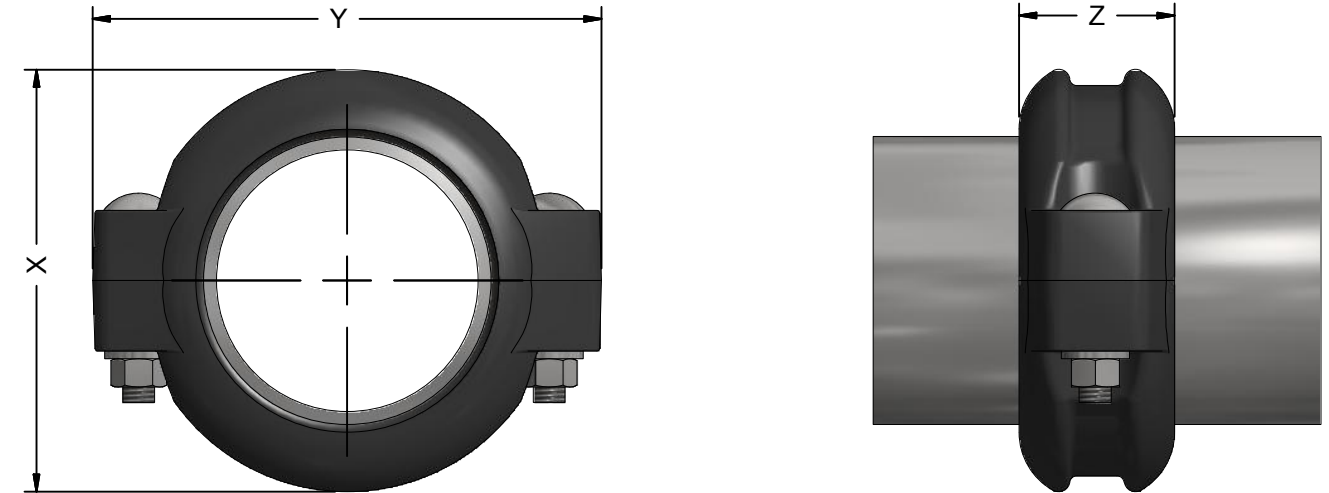


PRESSURE RATING:

NOMINAL SIZES	RATED PRESSURE	PROOF TEST PRESSURE
0.75" - 2.5"	250 PSI (17 BAR)	375 PSI (26 BAR)
3.0" - 4.0"	225 PSI (16 BAR)	338 PSI (23 BAR)
6.0" - 8.0"	100 PSI (7 BAR)	150 PSI (10 BAR)

NOTES:

1. DIMENSIONS SHOWN IN THE DRAWING ARE INDICATIVE. FOR DETAILED INFORMATION ON GD&T, CONTACT PIEDMONT
2. COUPLING IS RATED FOR SCH. 40S (OR THICKER), CUT GROOVED PIPES
3. HOUSING - HOUSING MATERIAL IS GLASS REINFORCED THERMOPLASTIC COMPOSITE
4. BOLTS - ROUND HEAD, SQUARE NECK, 316SS BOLTS CONFORM TO ASME B18.5-2012
5. NUTS - HEAVY HEX 316SS NUTS CONFORM TO ASME/ANSI 18.2.2-1987
6. WASHERS - 316SS WASHER CONFORM TO ASME 18.21.1-2009
7. GASKETS - EPDM RUBBER GASKET (FLUSH-FIT/C-SHAPE)



ITEM	DESCRIPTION	MATERIAL	QTY
1	GROOVED END PIPE (AWWA C606 STANDARD)	METALLIC/NON METALLIC	2
2	COUPLING HOUSING	GLASS REINFORCED PLASTIC COMPOSITE	2
3	GASKET	EPDM RUBBER	1
4	ROUND HEAD, SQUARE NECK BOLT	316 STAINLESS STEEL	2
5	WASHER	316 STAINLESS STEEL	2
6	HEAVY HEX NUT	316 STAINLESS STEEL	2

NOMINAL SIZES (INCH)	X (INCH [MM])	Y (INCH [MM])	Z (INCH [MM])
3/4	2.20 [55.9]	3.04 [77.2]	1.73 [44.0]
1	2.64 [67.1]	3.41 [86.7]	1.73 [44.0]
1-1/4	2.97 [75.4]	3.65 [92.7]	1.73 [44.0]
1-1/2	3.22 [81.8]	3.90 [99.1]	1.74 [44.2]
2	3.75 [95.3]	4.41 [112.0]	1.79 [45.5]
2-1/2	4.25 [108.1]	5.29 [134.4]	1.86 [47.2]
3	5.31 [134.9]	6.41 [162.8]	2.10 [53.3]
4	6.36 [161.6]	8.72 [221.4]	2.40 [61.0]
6	8.82 [224.0]	10.18 [258.6]	2.52 [64.0]
8	11.20 [284.5]	13.54 [343.9]	2.75 [69.9]

PROPRIETARY AND CONFIDENTIAL NOTE:
THE INFORMATION CONTAINED IN THIS DRAWING IS THE SOLE PROPERTY OF PIEDMONT PACIFIC. ANY REPRODUCTION IN PART OR AS A WHOLE WITHOUT THE WRITTEN PERMISSION OF PIEDMONT PACIFIC IS PROHIBITED.

REV	DATE	REVISION DESCRIPTION	DRAWN	CHKD	ENG	APPVD
0	15-07-2015	GENERAL COUPLING ASSEMBLY	AH	CZZ	AH	
1	18-07-2016	DESCRIPTION REVISED	AH	CZZ	AH	



UNLESS NOTED OTHERWISE
INTERPRETATION: ANSI Y14.5
TOLERANCES: 40.00" (0.75 MM)
ANGLES: 4:1
HOLE SIZES: 40.00" (0.75 MM)
HOLE CENTERS: 40.00" (0.75 MM)
SURFACE FINISH ON PART: N/A
SURFACE FINISH ON DIMENSIONS: 32
DO NOT SCALE PRINTS

PIEDMONT PACIFIC
GROOVE END FLEXIBLE PIPE COUPLING

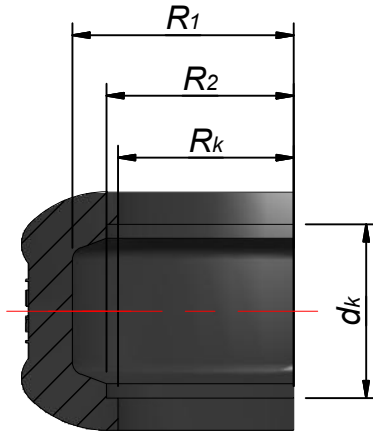
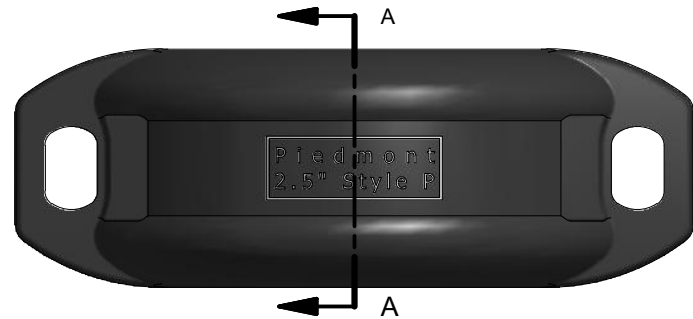
TITLE:				
STYLE P COMPOSITE COUPLING				
SCALE:	UNIT:	DRAWING NO.	SHEET:	REVISION:
N/A	INCH [MM]	1.0	1.0	1

4

3

2

1



SECTION A-A



NOMINAL SIZES (INCH)	dk INCH [MM]	R1 INCH [MM]	R2 INCH [MM]	Rk INCH [MM]
3/4	1.37 [34.8]	0.80 [20.3]	0.54 [13.7]	0.46 [12.1]
1	1.35 [34.3]	1.00 [25.4]	0.67 [17.0]	0.60 [15.2]
1-1/4	1.35 [34.3]	1.11 [27.9]	0.85 [21.6]	0.77 [19.6]
1-1/2	1.35 [34.3]	1.23 [31.2]	0.98 [24.9]	0.90 [22.8]
2	1.35 [34.3]	1.5 [38.0]	1.21 [30.7]	1.13 [28.7]
2-1/2	1.36 [34.5]	1.73 [43.9]	1.46 [37.1]	1.37 [34.8]
3	1.36 [34.5]	2.03 [51.6]	1.78 [45.2]	1.68 [42.7]
4	1.48 [37.6]	2.60 [66.0]	2.25 [57.2]	2.14 [54.3]
6	1.50 [38.1]	3.72 [94.5]	3.35 [85.0]	3.24 [82.3]
8	1.73 [43.9]	4.78 [121.4]	4.36 [110.7]	4.23 [107.4]

NOTES:

1. DIMENSIONS SHOWN IN THE DRAWING ARE INDICATIVE. FOR DETAILED INFORMATION ON GD&T, CONTACT PIEDMONT
2. HOUSING MATERIAL IS GLASS REINFORCED THERMOPLASTIC COMPOSITE

PROPRIETARY AND CONFIDENTIAL NOTE:
 THE INFORMATION CONTAINED IN THIS DRAWING IS THE SOLE PROPERTY OF PIEDMONT PACIFIC. ANY REPRODUCTION IN PART OR AS A WHOLE WITHOUT THE WRITTEN PERMISSION OF PIEDMONT PACIFIC IS PROHIBITED.

REV		DATE	REVISION DESCRIPTION	DRAWN	CHKD	ENG	APPVD
0		04-09-2015	GENERAL COUPLING ASSEMBLY	AH	CZZ	AH	
1		18-07-2016	DESCRIPTIONS WERE REVISED	AH	CZZ	AH	



UNLESS NOTED OTHERWISE
 INTERPRETATION: ANSI Y14.5
 TOLERANCES: ±0.02" [0.5 MM]
 ANGLES: 4:1
 HOLE SIZES: ±0.02" [0.5 MM]
 HOLE CENTERS: ±0.02" [0.5 MM]
 SURFACE FINISH ON PART: N/A
 SURFACE FINISH ON CHAINING: 32
DO NOT SCALE PRINTS

PIEDMONT PACIFIC
GROOVE END FLEXIBLE PIPE COUPLING

TITLE:				
STYLE P COUPLING HOUSING				
SCALE:	UNIT:	DRAWING NO.	SHEET:	REVISION:
N/A	INCH [MM]	1.0	2.0	1

4

3

2

1