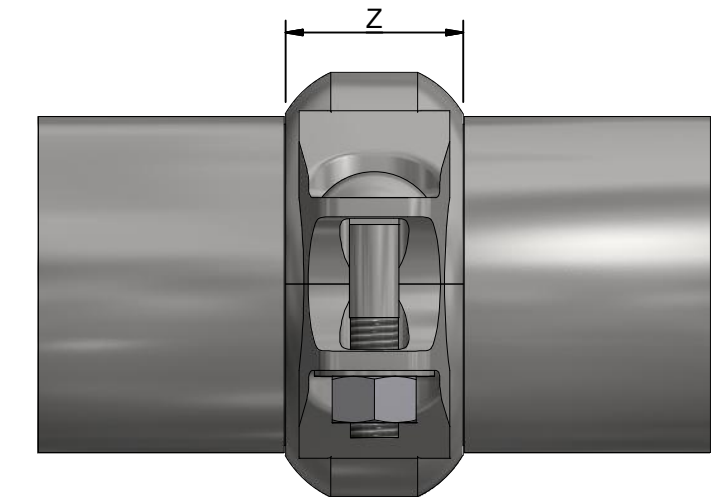
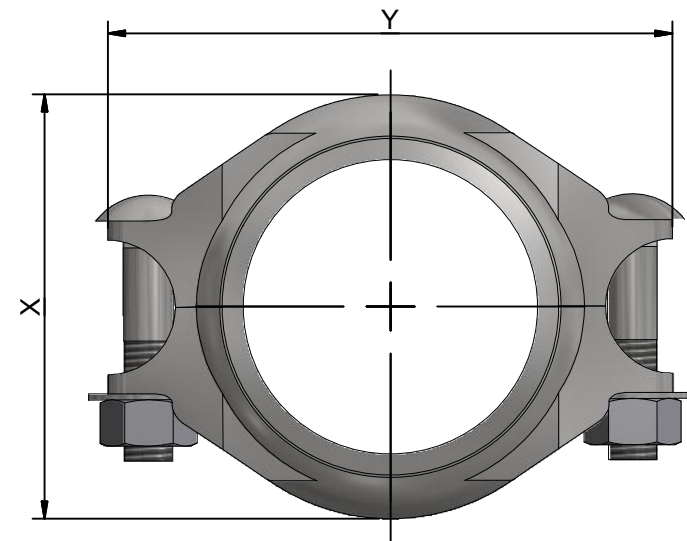


**PRESSURE RATING:**

NOMINAL SIZES	RATED PRESSURE	PROOF TEST PRESSURE
0.75" - 12"	1200 PSI (83 BAR)	1800 PSI (125 BAR)

**NOTES:**

1. DIMENSIONS SHOWN IN THE DRAWING ARE INDICATIVE. FOR DETAILED INFORMATION ON GD&T, CONTACT PIEDMONT
2. COUPLING IS RATED FOR 1200 PSI WORKING PRESSURE FOR SCH. 40 PIPE (OR THICKER) WITH CUT GROOVES ONLY
3. HOUSING - HOUSING MATERIAL IS DUPLEX (CE8MN) OR SUPER DUPLEX (CE8MN/CE3MN) STEEL CONFORM TO ASTM A995/A995M-13
4. BOLTS - ROUND HEAD, SQUARE NECK, 316SS BOLTS CONFORM TO ASME B18.5-2012
5. NUTS - HEAVY HEX SILICON BRONZE/316 STAINLESS STEEL CONFORM TO ASME/ANSI 18.2.2-1987
6. WASHERS - 316SS WASHER CONFORM TO ASME 18.21.1-2009
7. GASKETS - EPDM RUBBER C-SHAPED/FLUSH-FIT GASKET



NOMINAL SIZES INCH	X INCH [MM]	Y INCH [MM]	Z INCH [MM]	APPROX. WT LB [KG]
3/4	1.91 [48.5]	3.04 [77.2]	1.68 [42.7]	0.81 [0.37]
1	2.29 [58.2]	3.42 [86.9]	1.68 [42.7]	0.97 [0.44]
1-1/4	2.50 [63.5]	3.65 [92.7]	1.71 [43.4]	1.08 [0.49]
1-1/2	2.76 [70.1]	4.06 [130.1]	1.71 [43.4]	1.21 [0.55]
2	3.24 [82.3]	4.38 [111.3]	1.85 [47.0]	1.92 [0.87]
2-1/2	3.74 [95.0]	5.30 [134.6]	1.85 [47.0]	2.14 [0.97]
3	4.48 [113.8]	6.02 [153.1]	1.85 [47.0]	2.64 [1.20]
4	5.70 [144.8]	7.60 [193.0]	2.02 [51.3]	4.54 [2.06]
5	7.22 [183.4]	9.50 [241.3]	2.02 [51.3]	9.30 [4.23]
6	8.18 [207.8]	10.25 [260.4]	2.02 [51.3]	9.74 [4.42]
8	10.89 [276.6]	13.44 [341.5]	2.34 [60.7]	24.50 [11.10]
10	13.28 [337.3]	15.88 [403.2]	2.55 [64.8]	33.46 [15.18]
12	15.28 [388.1]	17.38 [441.4]	2.55 [64.8]	34.82 [15.80]

ITEM	DESCRIPTION	MATERIAL	QTY
1	GROOVED END PIPE (AWWA C606 STANDARD)	METALLIC/NON METALLIC	2
2	COUPLING HOUSING	CE8MN/CE3MN (DUPLEX/SUPERDUPLEX STAINLESS STEEL)	2
3	GASKET	EPDM RUBBER	1
4	ROUND HEAD, SQUARE NECK BOLT	316 STAINLESS STEEL	2
5	WASHER	316 STAINLESS STEEL	2
6	HEAVY HEX NUT	SILICON BRONZE/316 STAINLESS STEEL	2

**PROPRIETARY AND CONFIDENTIAL NOTE:**  
 THE INFORMATION CONTAINED IN THIS DRAWING IS THE SOLE PROPERTY OF PIEDMONT PACIFIC. ANY REPRODUCTION IN PART OR AS A WHOLE WITHOUT THE WRITTEN PERMISSION OF PIEDMONT PACIFIC IS PROHIBITED.

REV	DATE	REVISION DESCRIPTION	DRAWN	CHKD	ENG	APPVD
1	14-09-2015	GENERAL COUPLING ASSEMBLY OF STYLE D	AH	CZZ	AH	AH
2	08-12-2015	D2.0 AND D3.0 WERE REVISED	AH	CZZ	AH	AH
3	12-01-2016	D8.0 DESCRIPTION WAS ADDED	AH	CZZ	AH	AH
4	23-03-2016	D3.0 DIMENSION WAS REVISED	AH	CZZ	AH	AH
5	18-07-2016	PRODUCT WEIGHTS ARE ADDED. DIMENSIONS REVISED.	AH	CZZ	AH	AH



UNLESS NOTED OTHERWISE  
 INTERPRETATION: ANSI Y14.5  
 TOLERANCES: ±0.02" (±0.75 MM)  
 ANGLES: 4:1  
 HOLE SIZES: ±0.002" (±0.75 MM)  
 HOLE CENTERS: ±0.002" (±0.75 MM)  
 SURFACE FINISH ON PART: N/A  
 SURFACE FINISH ON CHAINS: 32  
 DO NOT SCALE PRINTS

**PIEDMONT PACIFIC**  
**GROOVE END FLEXIBLE PIPE COUPLING**

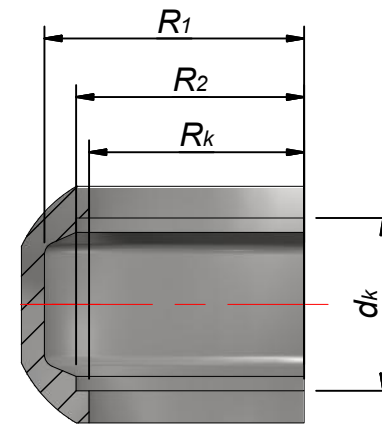
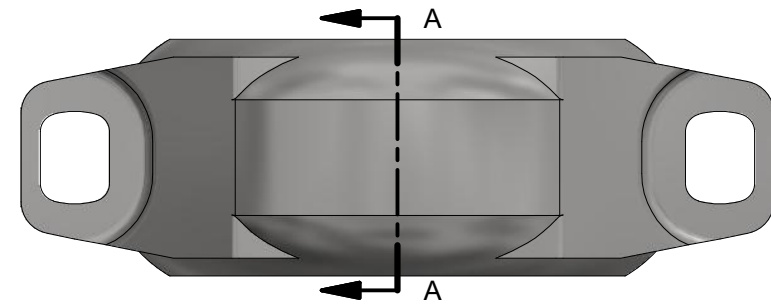
TITLE:				
STYLE D COUPLING ASSEMBLY				
SCALE:	UNIT:	DRAWING NO.	SHEET:	REVISION:
N/A	INCH [MM]	1.0	1.0	5

4

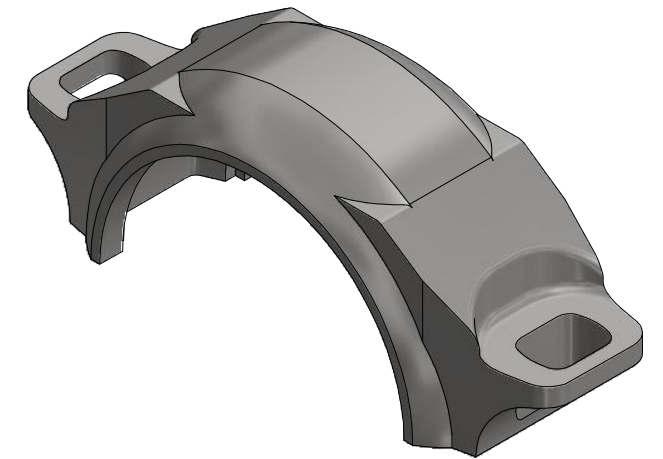
3

2

1



SECTION A-A



NOMINAL SIZES (INCH)	dk INCH [MM]	R1 INCH [MM]	R2 INCH [MM]	Rk INCH [MM]
3/4	1.37 [34.8]	0.81 [20.5]	0.54 [13.6]	0.48 [12.1]
1	1.37 [34.8]	1.00 [25.4]	0.67 [16.9]	0.60 [15.2]
1-1/4	1.35 [34.3]	1.11 [28.2]	0.85 [21.6]	0.77 [19.6]
1-1/2	1.35 [34.3]	1.23 [31.2]	0.98 [24.9]	0.90 [22.7]
2	1.35 [34.3]	1.47 [37.3]	1.21 [30.7]	1.13 [28.7]
2-1/2	1.35 [34.3]	1.72 [43.7]	1.46 [37.0]	1.37 [34.7]
3	1.35 [34.3]	2.03 [51.6]	1.78 [45.2]	1.68 [42.7]
4	1.50 [38.1]	2.64 [67.1]	2.28 [57.9]	2.17 [55.2]
5	1.50 [38.1]	3.18 [80.8]	2.82 [71.5]	2.70 [68.7]
6	1.50 [38.1]	3.71 [94.2]	3.34 [84.8]	3.23 [82.1]
10	1.75 [44.5]	5.85 [148.5]	5.41 [137.5]	5.29 [134.3]
12	1.75 [44.5]	6.85 [173.9]	6.41 [162.9]	6.27 [159.3]

## NOTES:

- DIMENSIONS SHOWN IN THE DRAWING ARE INDICATIVE. FOR DETAILED INFORMATION ON GD&T, CONTACT PIEDMONT
- HOUSING MATERIAL IS DUPLEX (CE8MN) OR SUPER DUPLEX (CE8MN/CE3MN) STEEL CONFORM TO ASTM A995/A995M-13

## PROPRIETARY AND CONFIDENTIAL NOTE:

THE INFORMATION CONTAINED IN THIS DRAWING IS THE SOLE PROPERTY OF PIEDMONT PACIFIC. ANY REPRODUCTION IN PART OR AS A WHOLE WITHOUT THE WRITTEN PERMISSION OF PIEDMONT PACIFIC IS PROHIBITED.

DRAWING REVISION		DRAWN	CHKD	ENG	APPVD
REV	DATE				
1	14-09-2015	AH	CZZ	AH	
2	19-04-2016	AH	CZZ	AH	
3	18-07-2016	AH	CZZ	AH	

## UNLESS NOTED OTHERWISE

ANSI Y14.5  
 TOLERANCES: ±0.02" [0.5 MM]  
 ANGLES: 4:1  
 HOLE SIZES: ±0.02" [0.5 MM]  
 HOLE CENTERS: ±0.02" [0.5 MM]  
 SURFACE FINISH ON PART: N/A  
 SURFACE FINISH ON DRAWING: 32  
 DO NOT SCALE PRINTS

PIEDMONT PACIFIC  
GROOVE END FLEXIBLE PIPE COUPLING

## TITLE:

STYLE D COUPLING HOUSING

SCALE:	UNIT:	DRAWING NO.	SHEET:	REVISION:
N/A	INCH [MM]	1.0	2.0	3

4

3

2

1