

PRESSURE RATING:

NOMINAL SIZES	WORKING PRESSURE	PROOF TEST PRESSURE
0.75" - 6"	600 PSI (40 BAR)	900 PSI (60 BAR)

NOTES:

1. DIMENSIONS SHOWN IN THE DRAWING ARE INDICATIVE. FOR DETAILED INFORMATION ON GD&T, CONTACT PIEDMONT
2. COUPLING IS RATED FOR SCH. 40 PIPE (OR THICKER) WITH CUT GROOVES ONLY
3. HOUSING - HOUSING MATERIAL IS CF8M (316 STAINLESS STEEL) CONFORM TO ASTM A351/A315M - 13a
4. BOLTS - ROUND HEAD, SQUARE NECK, 316SS BOLTS CONFORM TO ASME B18.5-2012
5. NUTS - HEAVY HEX 316SS NUTS CONFORM TO ASME/ANSI 18.2.2-1987
6. GASKETS - EPDM RUBBER GASKET (FLUSH-FIT/C-SHAPE)

NOMINAL SIZES (INCH)	X INCH [MM]	Y INCH [MM]	Z INCH [MM]	APPROX. WT LB [KG]
3/4	1.91 [48.5]	3.04 [77.2]	1.68 [42.7]	0.81 [0.37]
1	2.29 [58.2]	3.42 [86.8]	1.68 [42.7]	0.95 [0.43]
1-1/4	2.50 [63.5]	3.65 [92.7]	1.71 [43.4]	1.09[0.49]
1-1/2	2.76 [70.1]	4.06 [130.1]	1.71 [43.4]	1.18 [0.54]
2	3.24 [82.3]	4.38 [111.3]	1.85 [47.0]	1.38 [0.63]
2-1/2	3.74 [95.0]	5.30 [134.6]	1.85 [47.0]	2.05 [0.93]
3	4.36 [110.7]	5.88 [149.3]	1.85 [47.0]	2.40 [1.09]
4	5.70 [144.8]	7.60 [193.0]	2.02 [51.3]	4.23 [1.92]
6	8.18 [207.8]	10.25 [260.4]	2.02 [51.3]	9.12 [4.14]

ITEM	DESCRIPTION	MATERIALS	QTY
1	GROOVED END PIPE (AWWA C606 STANDARD)	METALLIC/NON METALLIC	2
2	COUPLING HOUSING	CF8M (316 STAINLESS STEEL)	2
3	GASKET	EPDM RUBBER	1
4	ROUND HEAD, SQUARE NECK BOLT	316 STAINLESS STEEL	2
5	HEAVY HEX NUT	316 STAINLESS STEEL	2

PROPRIETARY AND CONFIDENTIAL NOTE:
 THE INFORMATION CONTAINED IN THIS DRAWING IS THE SOLE PROPERTY OF PIEDMONT PACIFIC. ANY REPRODUCTION IN PART OR AS A WHOLE WITHOUT THE WRITTEN PERMISSION OF PIEDMONT PACIFIC IS PROHIBITED.

DRAWING REVISION		DRAWN	CHKD	ENG	APPVD
REV	DATE				
1	15-09-2015	AH	CZZ	AH	
2	19-04-2016	AH	CZZ	AH	
3	18-07-2016	AH	CZZ	AH	

Piedmont

UNLESS NOTED OTHERWISE
 INTERPRETATION: ANSI Y14.5
 TOLERANCES: 40.00" (0.75 MM)
 ANGLES: 45°
 HOLE SIZES: 41°
 HOLE CENTER: 40.00" (0.75 MM)
 SURFACE FINISH ON PART: N/A
 SURFACE FINISH ON CHAINING: 32
 DO NOT SCALE PRINTS

PIEDMONT PACIFIC
GROOVE END FLEXIBLE PIPE COUPLING

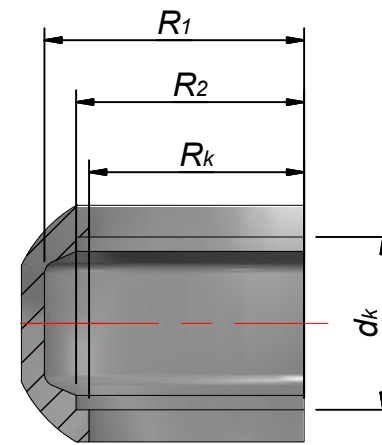
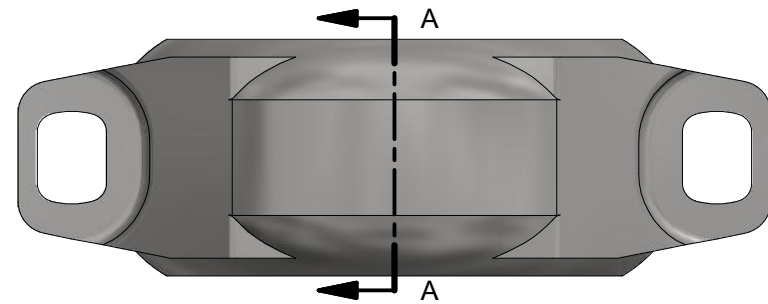
TITLE:				
STYLE B COUPLING ASSEMBLY				
SCALE:	UNIT:	DRAWING NO.	SHEET:	REVISION:
N/A	INCH [MM]	1.0	1.0	3

4

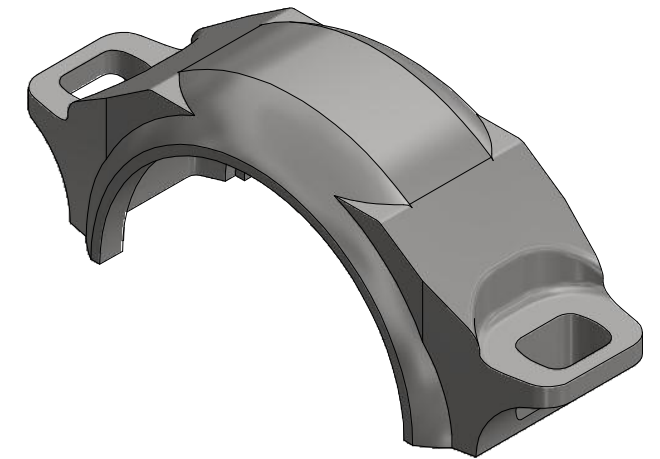
3

2

1



SECTION A-A



NOMINAL SIZES (INCH)	dk INCH [MM]	R1 INCH [MM]	R2 INCH [MM]	Rk INCH [MM]
3/4	1.37 [34.8]	0.81 [20.5]	0.54 [13.6]	0.48 [12.1]
1	1.37 [34.8]	1.00 [25.4]	0.67 [16.9]	0.60 [15.2]
1-1/4	1.35 [34.3]	1.11 [28.2]	0.85 [21.6]	0.77 [19.6]
1-1/2	1.35 [34.3]	1.23 [31.2]	0.98 [24.9]	0.90 [22.7]
2	1.35 [34.3]	1.47 [37.3]	1.21 [30.7]	1.13 [28.7]
2-1/2	1.35 [34.3]	1.72 [43.7]	1.46 [37.0]	1.37 [34.7]
3	1.35 [34.3]	2.03 [51.6]	1.78 [45.2]	1.68 [42.7]
4	1.50 [38.1]	2.64 [67.1]	2.28 [57.9]	2.17 [55.2]
6	1.50 [38.1]	3.71 [94.2]	3.34 [84.8]	3.23 [82.1]

NOTES:

- FOR DETAILED INFORMATION ON OTHER GD&Ts, CONTACT PIEDMONT
- HOUSING MATERIAL IS CF8M (316 STAINLESS STEEL) CONFORM TO ASTM A351/A315M - 13a

PROPRIETARY AND CONFIDENTIAL NOTE:

THE INFORMATION CONTAINED IN THIS DRAWING IS THE SOLE PROPERTY OF PIEDMONT PACIFIC. ANY REPRODUCTION IN PART OR AS A WHOLE WITHOUT THE WRITTEN PERMISSION OF PIEDMONT PACIFIC IS PROHIBITED.

DRAWING REVISION		REV	DATE	REVISION DESCRIPTION	DRAWN	CHKD	ENG	APPVD
1	15-09-2015			COUPLING HOUSING DRAWING	AH	CZZ	AH	
2	19-04-2016			FORMAT UPDATED. SIZES MATACHED WITH DATA SHEET	AH	CZZ	AH	
3	18-07-2016			DIMENSIONAL NOTATIONS WERE CHANGED	AH	CZZ	AH	

UNLESS NOTED OTHERWISE

INTERPRETATION: ANSI Y14.5
 TOLERANCES: ±0.02" [0.5 MM]
 ANGLES: 4:1
 HOLE SIZES: ±0.02" [0.5 MM]
 HOLE CENTERS: ±0.02" [0.5 MM]
 SURFACE FINISH ON PART: N/A
 SURFACE FINISH ON CHANGING: 32
 DO NOT SCALE PRINTS

PIEDMONT PACIFIC
GROOVE END FLEXIBLE PIPE COUPLING

TITLE:

STYLE B COUPLING HOUSING

SCALE:	UNIT:	DRAWING NO.	SHEET:	REVISION:
N/A	INCH [MM]	1.0	2.0	3

4

3

2

1